

SPECIFICATION FOR APPROVAL

CUSTOMER :

CUSTOMER PART NO :

SUPPLIER: JIAXING GLEAD ELECTRONICS CO.,LTD.

SUPPLIER PART NO: PAM868SNO_P710mm



DESCRIPTION: 868MHZ/45*45*6/ ϕ 1.13/IPEX/PCB: 50mm

REMARKS :

Customer Signature :

Customer Seal :

Supplier Signature :

Supplier Seal :

Prepared by:	Formed On:	Add	No.66 ZhengyuanRoad,Tanghui Industrial Zone, Jiaxing, Zhejiang, China
		Tel	0573-83651818
		Fax	0573-83651858

PRODUCT NAME	Prepared date	Page
PAM868SNO_P710mm	2016.06.12	1/5
Prepared by	Checked by	Approved by
Wu Fei	Gao SHeng	Ge Weiping

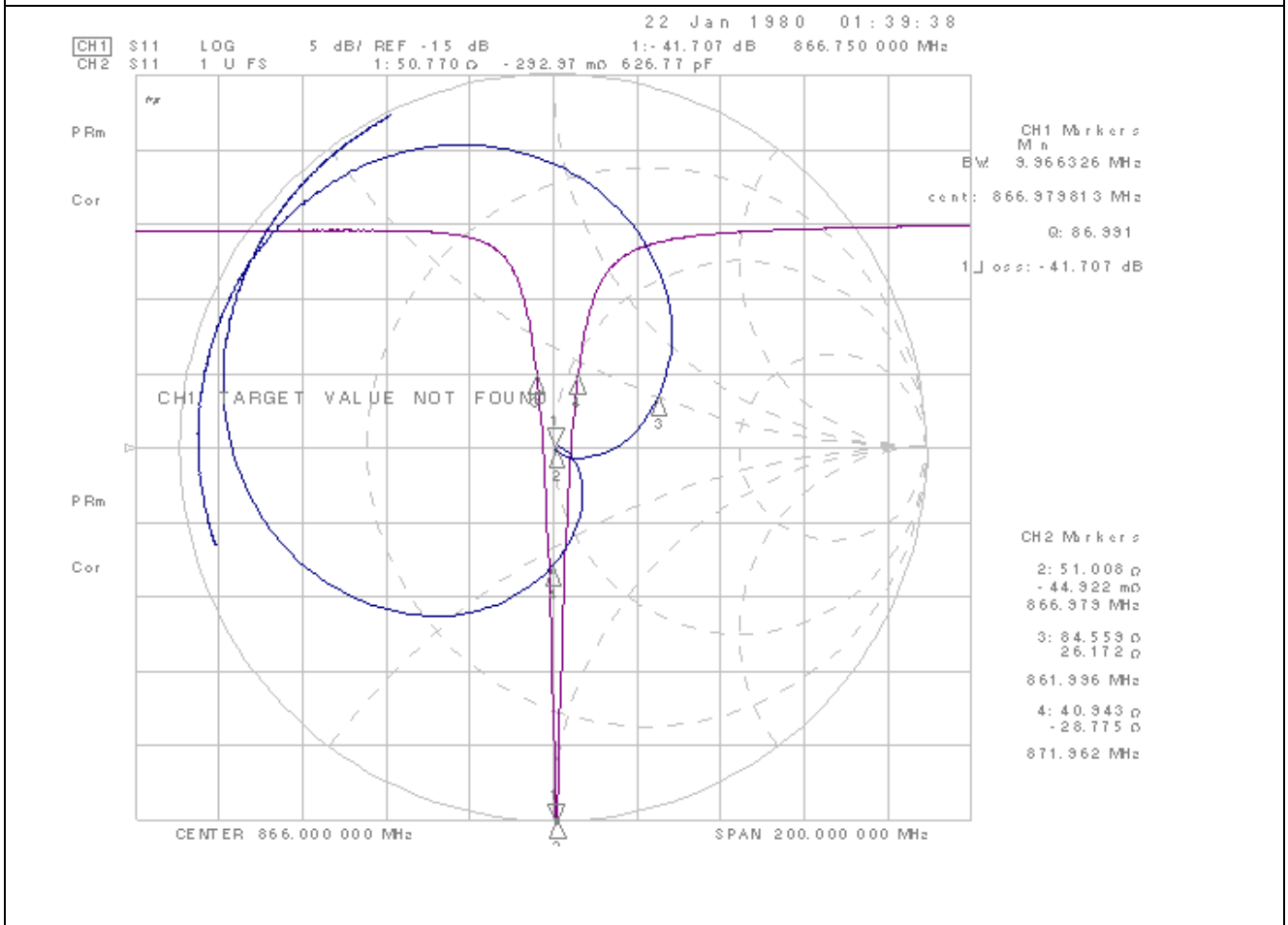
二、Electrical Characteristics

2.1 Antenna

1	Ceramic Antenna model	45*45*6mm
2	Center Frequency	868MHz±2 MHz
3	V. S. W. R	1.3:1
4	Band Width (V. S. W. R<1.5:1)	> 4 MHz
5	Impedence	50 ohm
6	Gain(Typical)	1.8dBic Based on 50×50mm ground plane
7	Polarization	RHCP

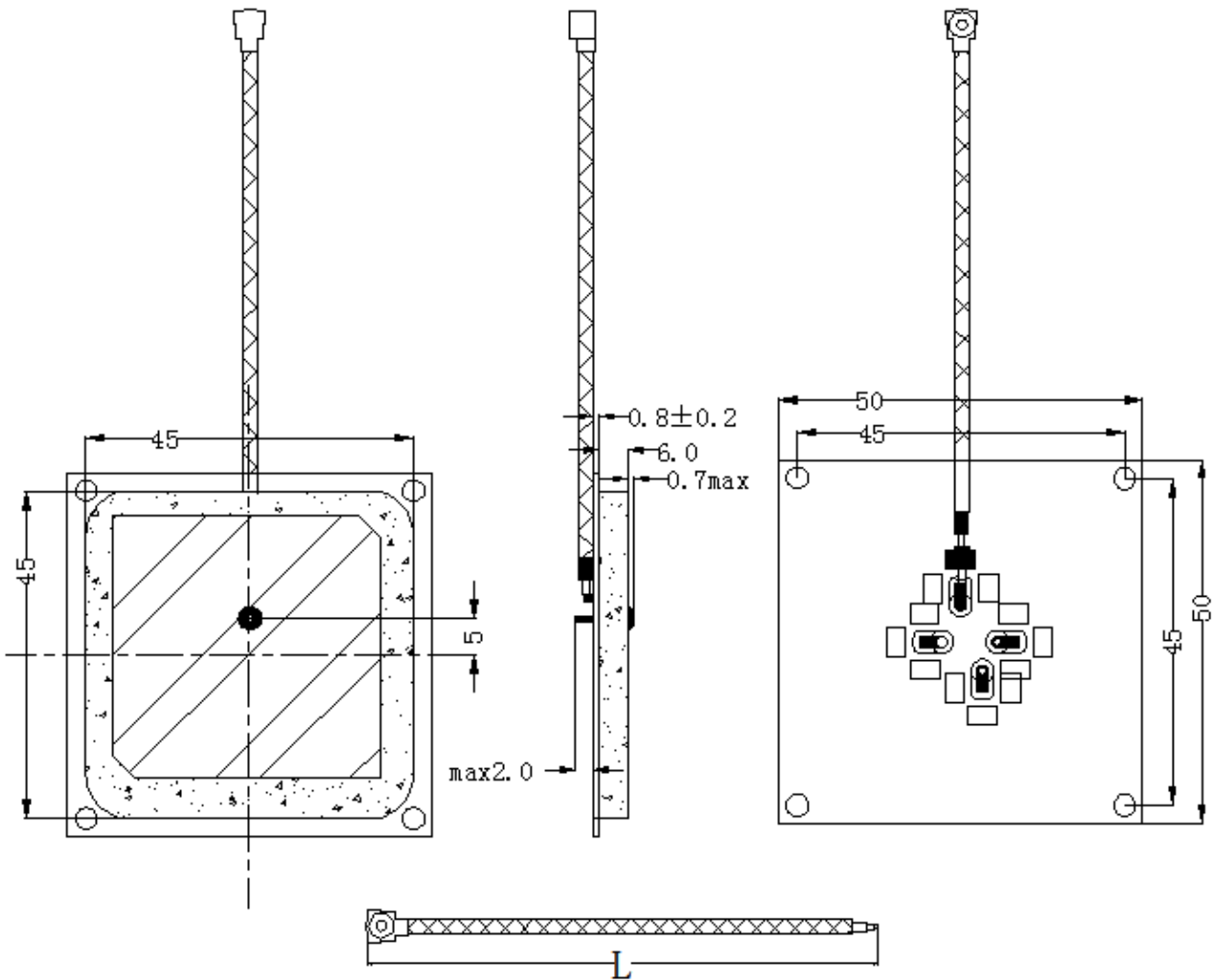
PRODUCT NAME	Prepared date	Page
PAM868SNO_P710mm	2016.06.12	2/5
Prepared by	Checked by	Approved by
Wu Fei	Gao SHeng	Ge Weiping

三、Characteristic curve



PRODUCT NAME	Prepared date	Page
PAM868SNO_P710mm	2016.06.12	3/5
Prepared by	Checked by	Approved by
Wu Fei	Gao SHeng	Ge Weiping

四、Di mensi on



note: 1.unit: mm
 2.other tolerance: ± 0.5

PRODUCT NAME	Prepared date	Page
PAM868SNO_P710mm	2016.06.12	4/5
Prepared by	Checked by	Approved by
Wu Fei	Gao SHeng	Ge Weiping

五、Electrical Characteristics

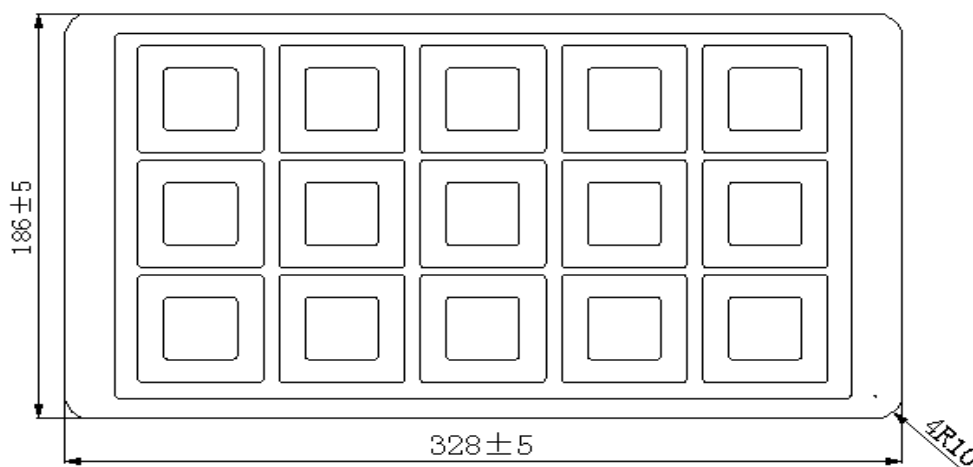
No	Part Name	SPEC
1	Antenna	Dielectric Ceramics
2	PCB	FR4
		$\Phi 1.13 \pm 0.2 \text{mm}$
		$L = 710 \pm 10 \text{mm}$
4	RF Connector	IPEX

六、Testing Conditions

1	Working Temp	$-40^{\circ}\text{C} \sim +80^{\circ}\text{C}$
2	Storage Temp	$-45^{\circ}\text{C} \sim +85^{\circ}\text{C}$
3	Vibration	Sine sweep 1g(0-p)
		10-55-10Hz each axis

七、Packi ng

包装名称 Package Name	包装数量 Quantity
吸塑盒 Tray	(15) pcs/tray
内装盒 Inner Box	(150) pcs/box
外包装箱 Outer Box	(300) pcs/box



PRODUCT NAME	Prepared date	Page
PAM868SNO_P710mm	2016.06.12	5/5
Prepared by	Checked by	Approved by
Wu Fei	Gao SHeng	Ge Weiping

